

HONDA

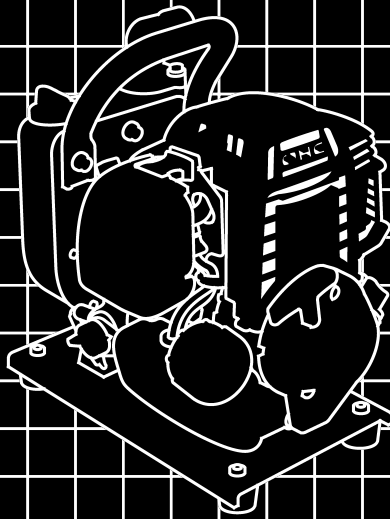
Power

Equipment

Owner's Manual

WATER PUMP

WX10





WARNING:



The engine exhaust from this product contains chemicals known to the State of California to cause cancer, birth defects or other reproductive harm.

Keep this owner's manual handy, so you can refer to it at any time. This owner's manual is considered a permanent part of the water pump and should remain with the water pump if resold.

The information and specifications included in this publication were in effect at the time of approval for printing. Honda Motor Co., Ltd. reserves the right, however, to discontinue or change specifications or design at any time without notice and without incurring any obligation whatever. No part of this publication may be reproduced without written permission.

INTRODUCTION

Congratulations on your selection of a Honda water pump. We are certain you will be pleased with your purchase of one of the finest water pumps on the market.

We want to help you get the best results from your new water pump and to operate it safely. This manual contains the information on how to do that; please read it carefully.

As you read this manual, you will find information preceded by a **NOTICE** symbol. That information is intended to help you avoid damage to your water pump, other property, or the environment.

We suggest you read the warranty policy to fully understand its coverage and your responsibilities of ownership. The warranty policy is a separate document that should have been given to you by your dealer.

When your water pump needs scheduled maintenance, keep in mind that your Honda servicing dealer is specially trained in servicing Honda water pumps. Your Honda servicing dealer is dedicated to your satisfaction and will be pleased to answer your questions and concerns.

Best Wishes,
Honda Motor Co., Ltd.

INTRODUCTION


A FEW WORDS ABOUT SAFETY

Your safety and the safety of others are very important. And using this water pump safely is an important responsibility.

To help you make informed decisions about safety, we have provided operating procedures and other information on labels and in this manual. This information alerts you to potential hazards that could hurt you or others.

Of course, it is not practical or possible to warn you about all the hazards associated with operating or maintaining a water pump. You must use your own good judgment.

You will find important safety information in a variety of forms, including:

- **Safety Labels** — on the pump.
- **Safety Messages** — preceded by a safety alert symbol  and one of three signal words, DANGER, WARNING, or CAUTION.

These signal words mean:

 **DANGER**

You WILL be KILLED or SERIOUSLY HURT if you don't follow instructions.

 **WARNING**

You CAN be KILLED or SERIOUSLY HURT if you don't follow instructions.

 **CAUTION**

You CAN be HURT if you don't follow instructions.

- **Safety Headings** — such as *IMPORTANT SAFETY INFORMATION*.
- **Safety Section** — such as *PUMP SAFETY*.
- **Instructions** — how to use this pump correctly and safely.

This entire book is filled with important safety information — please read it carefully.

CONTENTS

PUMP SAFETY	5
IMPORTANT SAFETY INFORMATION	5
SAFETY LABEL LOCATIONS	7
CONTROLS	8
COMPONENT & CONTROL LOCATIONS	8
CONTROLS	9
Ignition Switch	9
Choke Lever	9
Throttle Lever	10
Recoil Starter Grip	10
BEFORE OPERATION	11
ARE YOU READY TO GET STARTED?	11
IS YOUR PUMP READY TO GO?	12
Check the General Condition of the Pump	12
Check the Suction and Discharge Hoses	13
Check the Engine	13
OPERATION	14
SAFE OPERATING PRECAUTIONS	14
PUMP PLACEMENT	15
SUCTION HOSE INSTALLATION	16
DISCHARGE HOSE INSTALLATION	17
OPTIONAL GARDEN HOSE INSTALLATION (discharge only)	17
PRIMING THE PUMP	19
STARTING THE ENGINE	19
SETTING ENGINE SPEED	23
STOPPING THE ENGINE	24
SERVICING YOUR PUMP	25
THE IMPORTANCE OF MAINTENANCE	25
MAINTENANCE SAFETY	26
MAINTENANCE SCHEDULE	27
REFUELING	28
FUEL RECOMMENDATIONS	29
ENGINE OIL LEVEL CHECK	30
ENGINE OIL CHANGE	32
ENGINE OIL RECOMMENDATIONS	34

CONTENTS

SERVICING YOUR PUMP (continued)

AIR FILTER INSPECTION	35
AIR FILTER CLEANING	36
SPARK PLUG SERVICE	37
COOLING FIN INSPECTION	40
FUEL FILTER INSPECTION and FUEL TANK CLEANING	41
FUEL TUBE INSPECTION	42
SPARK ARRESTER SERVICE	43

STORAGE 45

STORAGE PREPARATION	45
Cleaning	45
Fuel	46
Engine Oil	49
STORAGE PRECAUTIONS	49
REMOVAL FROM STORAGE	50

TRANSPORTING 51

TAKING CARE OF UNEXPECTED PROBLEMS 52

ENGINE	52
Engine Will Not Start	52
Engine Lacks Power	52
PUMP	53
No Pump Output	53
Low Pump Output	53

TECHNICAL & CONSUMER INFORMATION 54

TECHNICAL INFORMATION	54
Serial Number Locations	54
Carburetor Modification for High Altitude Operation	55
Oxygenated Fuels	56
Emission Control System Information	57
Air Index	59
Specifications	60
CONSUMER INFORMATION	61
Honda Publications	61
Customer Service Information	62

QUICK REFERENCE INFORMATION Inside back cover

PUMP SAFETY

IMPORTANT SAFETY INFORMATION

The Honda WX10 pump is designed to pump only water that is not intended for human consumption, and other uses can result in injury to the operator or damage to the pump and other property.

Most accidents can be prevented if you follow all instructions in this manual and on the pump. The most common hazards are discussed below, along with the best way to protect yourself and others.

Operator Responsibility

It is the operator's responsibility to provide the necessary safeguards to protect people and property. Know how to stop the pump quickly in case of emergency. If you leave the pump for any reason, always turn the engine off. Understand the use of all controls and connections.

Be sure that anyone who operates the pump receives proper instruction. Do not let children operate the pump. Keep children and pets away from the area of operation.

Pump Operation

Pump only water that is not intended for human consumption. Pumping flammable liquids, such as gasoline or fuel oils, can result in a fire or explosion, causing serious injury. Pumping sea water, beverages, acids, chemical solutions, or any other liquid that promotes corrosion can damage the pump.

Refuel With Care

Gasoline is extremely flammable, and gasoline vapor can explode. Refuel outdoors, in a well-ventilated area, with the engine stopped and the pump on a level surface. Do not overfill the fuel tank. Never smoke near gasoline, and keep other flames and sparks away. Always store gasoline in an approved container. Make sure that any spilled fuel has been wiped up before starting the engine.

PUMP SAFETY

Hot Exhaust

The muffler becomes very hot during operation and remains hot for a while after stopping the engine. Be careful not to touch the muffler while it is hot. Let the engine cool before transporting the pump or storing it indoors.

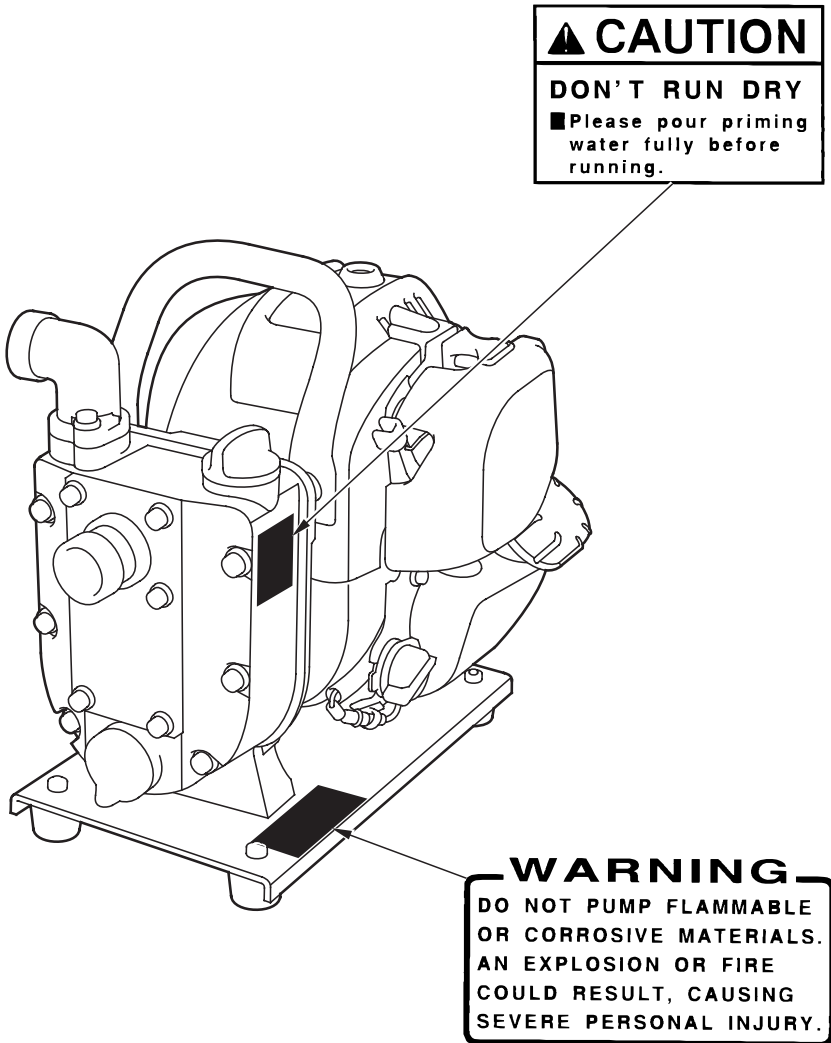
To prevent fire hazards, keep the pump at least 3 feet (1 meter) away from building walls and other equipment during operation. Do not place flammable objects close to the engine.

Carbon Monoxide Hazard

Exhaust gas contains poisonous carbon monoxide. Avoid inhalation of exhaust gas. Never run the engine in a closed garage or confined area.

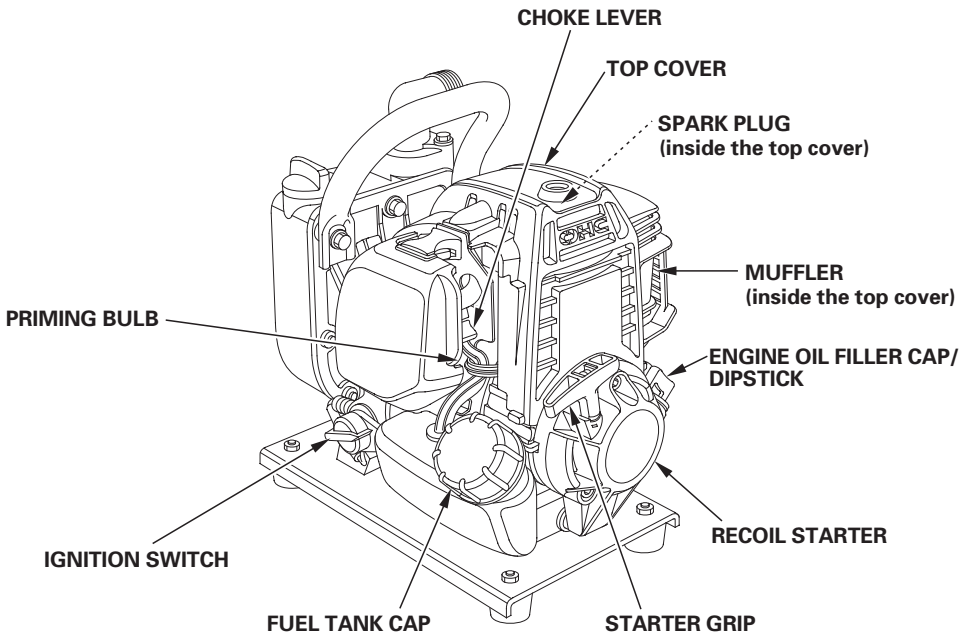
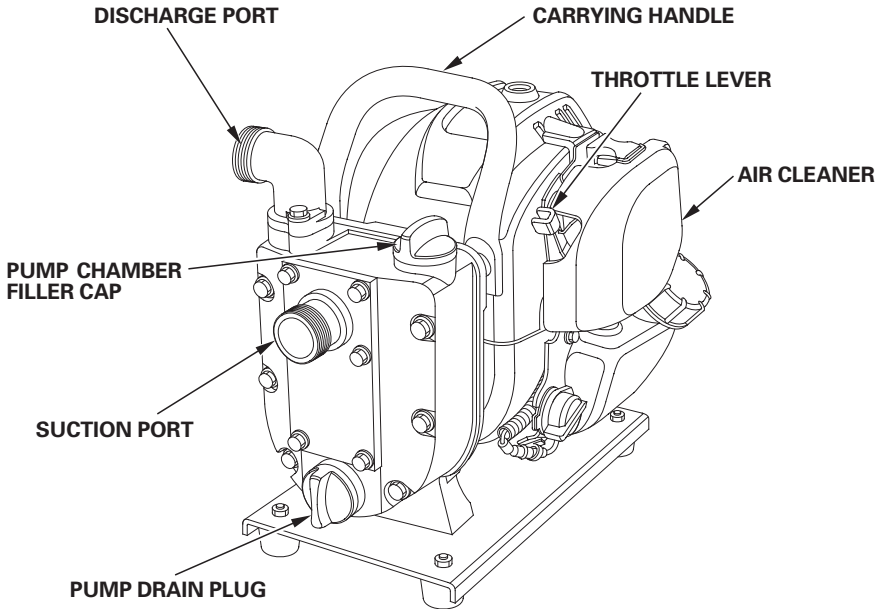
SAFETY LABEL LOCATIONS

The labels shown here contain important safety information. Please read them carefully. These labels are considered permanent parts of your pump. If a label comes off or becomes hard to read, contact an authorized Honda servicing dealer for a replacement.



CONTROLS

COMPONENT & CONTROL LOCATIONS



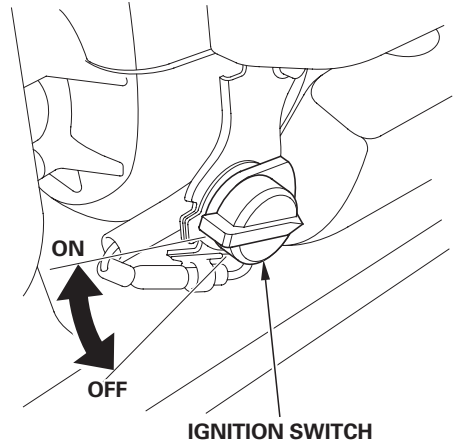
CONTROLS

Ignition Switch

The ignition switch controls the ignition system.

The ignition switch must be in the ON position for the engine to run.

Turning the ignition switch to the OFF position stops the engine.

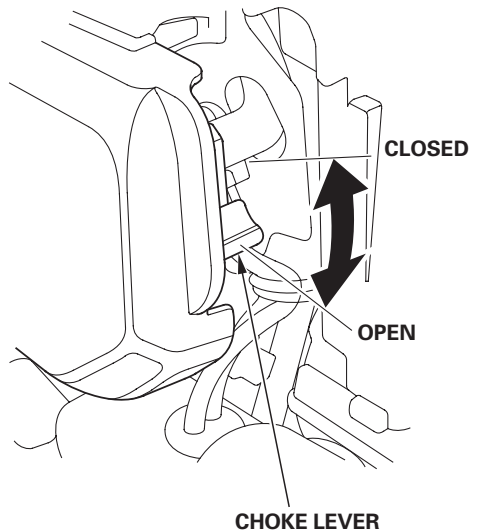


Choke Lever

The choke lever opens and closes the choke valve in the carburetor.

The CLOSED position enriches the fuel mixture for starting a cold engine.

The OPEN position provides the correct fuel mixture for operation after starting, and for restarting a warm engine.



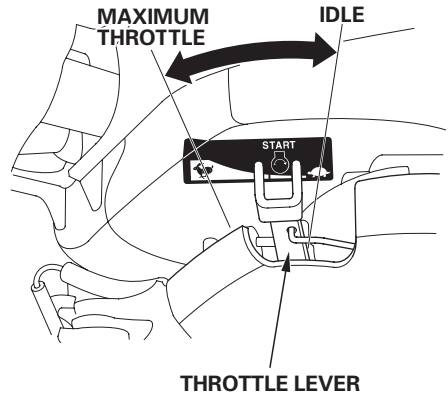
CONTROLS

Throttle Lever

The throttle lever controls engine speed.

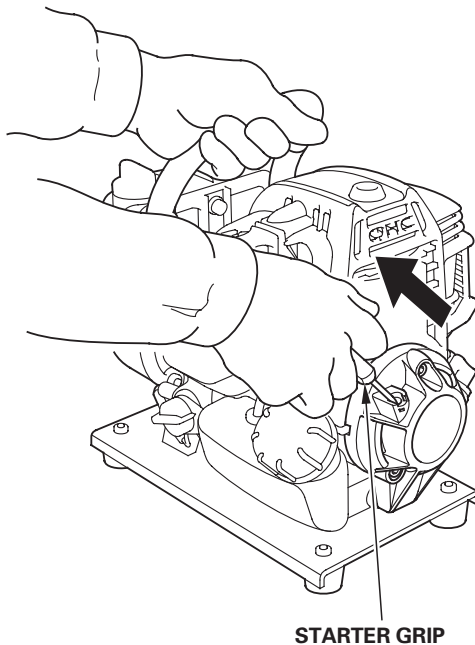
Moving the throttle lever in the directions shown makes the engine run faster or slower.

Pump output is controlled by adjusting the throttle lever. At maximum throttle position, the pump will deliver the highest output volume. Moving the throttle lever toward the idle position will decrease the output volume of the pump.



Recoil Starter Grip

Pulling the starter grip operates the recoil starter to crank the engine.



BEFORE OPERATION

ARE YOU READY TO GET STARTED?

Your safety is your responsibility. A little time spent in preparation will significantly reduce your risk of injury.

Knowledge

Read and understand this manual. Know what the controls do and how to operate them.

Familiarize yourself with the pump and its operation before you begin pumping. Know what to do in case of emergencies.

Be sure of what you are pumping. This pump is designed to pump only fresh water that is not intended for human consumption.

BEFORE OPERATION

IS YOUR PUMP READY TO GO?

For your safety, and to maximize the service life of your equipment, it is very important to take a few moments before you operate the pump to check its condition. Be sure to take care of any problem you find, or have your servicing dealer correct it, before you operate the pump.

WARNING

Improperly maintaining this pump, or failing to correct a problem before operation, could cause a malfunction in which you could be seriously injured.

Always perform a preoperation inspection before each operation, and correct any problem.

Exhaust gas contains poisonous carbon monoxide. Avoid inhalation of exhaust gas. Never run the engine in a closed garage or confined area.

To prevent fire hazards, keep the pump at least 3 feet (1 meter) away from building walls and other equipment during operation. Do not place flammable objects close to the engine.

Before beginning your preoperation checks, be sure the pump is on a level surface and the ignition switch is in the OFF position.

Check the General Condition of the Pump

- Look around and underneath the pump for signs of oil or gasoline leaks.
- Remove any excessive dirt or debris, especially around the engine muffler, and recoil starter.
- Look for signs of damage.
- Check that all nuts, bolts, screws, hose connectors and clamps are tightened.

Check the Suction and Discharge Hoses

- Check the general condition of the hoses. Be sure the hoses are in serviceable condition before connecting them to the pump. Remember that the suction hose must be reinforced construction to prevent hose collapse.
- Check that the sealing washer in the suction hose connector is in good condition (see page 16).
- Check that the hose connectors and clamps are securely installed (see pages 16 & 17).
- Check that the strainer is in good condition and is installed on the suction hose (see page 16).

Check the Engine

- Check the engine oil level (see page 30). Running the engine with a low oil level can cause engine damage.
- Check the air filter (see page 35). A dirty air filter will restrict air flow to the carburetor, reducing engine and pump performance.
- Check the fuel level (see page 28). Starting with a full tank will help to eliminate or reduce operating interruptions for refueling.

OPERATION

SAFE OPERATING PRECAUTIONS

To safely realize the full potential of this pump, you need a complete understanding of its operation and a certain amount of practice with its controls.

Before operating the pump for the first time, please review the *IMPORTANT SAFETY INFORMATION* on page 5 and the chapter titled *BEFORE OPERATION*.

For your safety, avoid starting or operating the engine in an enclosed area, such as a garage. Your engine's exhaust contains poisonous carbon monoxide gas which can collect rapidly in an enclosed area and cause illness or death.

Pump only fresh water that is not intended for human consumption. Pumping flammable liquids, such as gasoline or fuel oils, can result in a fire or explosion, causing serious injury. Pumping sea water, beverages, acids, chemical solutions, or any other liquid that promotes corrosion can damage the pump.

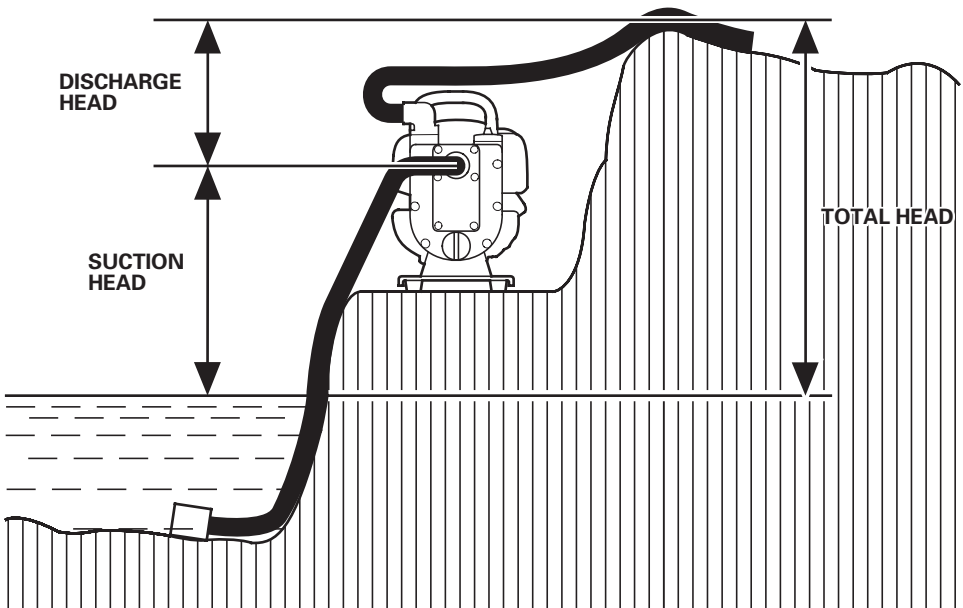
PUMP PLACEMENT

For best pump performance, place the pump near the water level, and use hoses that are no longer than necessary. That will enable the pump to produce the greatest output with the least self-priming time.

As *head* (pumping height) increases, pump output decreases. Maximum head specifications are shown in the tables on page 60. The length, type, and size of the suction and discharge hoses can also significantly affect pump output.

Discharge head capability is always greater than suction head capability, so it is important for suction head to be the shorter part of total head.

Minimizing suction head (placing the pump near the water level) is also very important for reducing self-priming time. Self-priming time is the time it takes the pump to bring water the distance of the suction head during initial operation.



OPERATION

SUCTION HOSE INSTALLATION

Use the hose, hose connector and hose clamp provided with the pump. The suction hose must be reinforced with a noncollapsible wall or braided wire construction to prevent suction hose collapse.

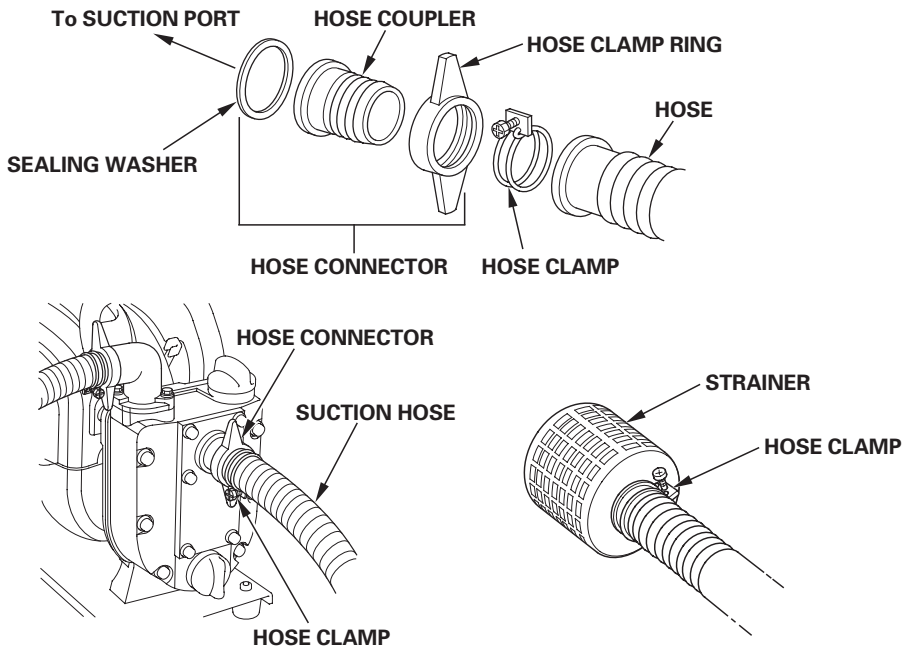
The suction hose should be no longer than necessary. Pump performance is best when the pump is near the water level, and the hoses are short.

Never use a suction hose with an inside diameter less than 25 mm (1 inch).

Use a hose clamp to securely fasten the hose connector to the suction hose in order to prevent air leakage and loss of suction. Verify that the hose connector sealing washer is in good condition.

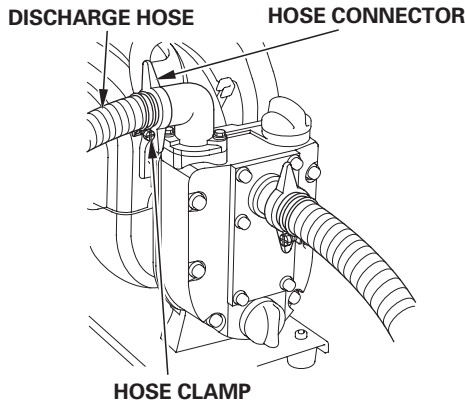
Install the strainer (provided with the pump) on the other end of the suction hose, and secure it with a hose clamp. The strainer will help to prevent the pump from becoming clogged or damaged by debris.

Securely tighten the hose connector on the pump suction port.



DISCHARGE HOSE INSTALLATION

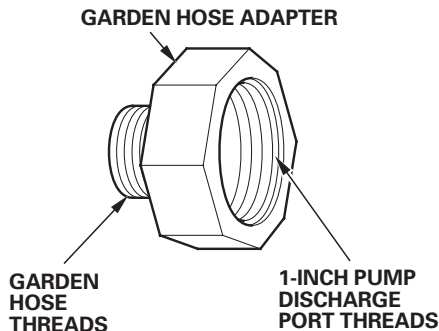
Attach a hose and hose connector to the pump's discharge port. It is best to use a short, large-diameter hose, because this will reduce fluid friction and improve pump performance. A long or small-diameter hose will increase fluid friction and reduce pump output. If the discharge hose is equipped with a shutoff valve or nozzle, do not shut off the discharge water for a long period of time, as that could cause the pump to overheat.



OPTIONAL GARDEN HOSE INSTALLATION (discharge only)

An adapter is supplied with the pump for optional connection of a garden hose to the pump discharge port. Garden hose is a convenient and economical option for carrying the discharged water, though its smaller diameter will reduce the maximum discharge capacity of the pump.

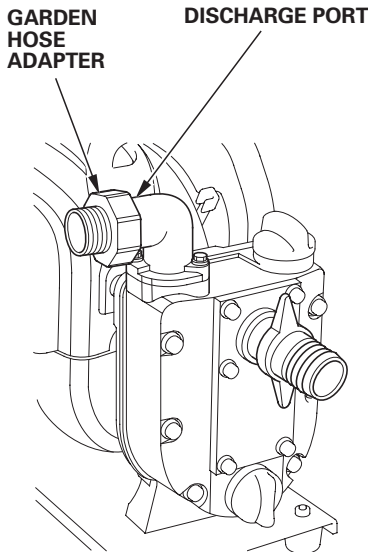
Hand-tighten the adapter, just tight enough to prevent leakage, then attach the garden hose to the adapter.



OPERATION

NOTICE

- *Overtightening the adapter can damage the threads.*
- *If the garden hose is equipped with a shut off valve or nozzle, do not shut off the discharge water for a long period of time, as that could cause the pump to overheat.*
- *Do not install the adapter on the pump suction port. Garden hose is not suitable for use as suction hose, because it will restrict flow and cause the pump to cavitate, damaging the pump.*

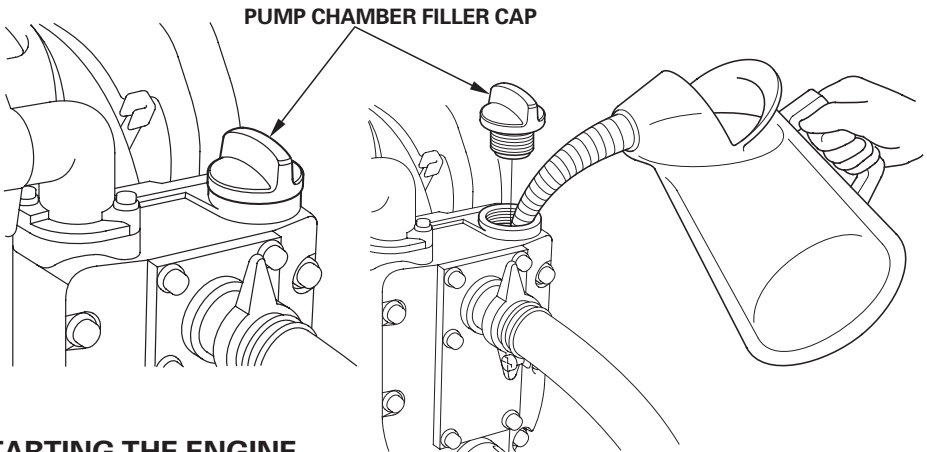


PRIMING THE PUMP

Before starting the engine, remove the filler cap from the pump chamber, and completely fill the pump chamber with water. Reinstall the filler cap, and tighten it securely.

NOTICE

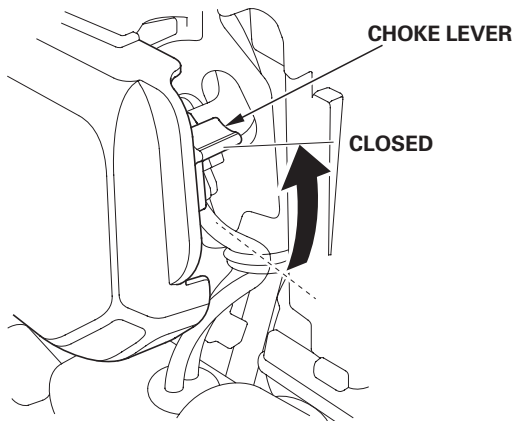
Operating the pump dry will destroy the pump seal. If the pump has been operated dry, stop the engine immediately, and allow the pump to cool before priming.



STARTING THE ENGINE

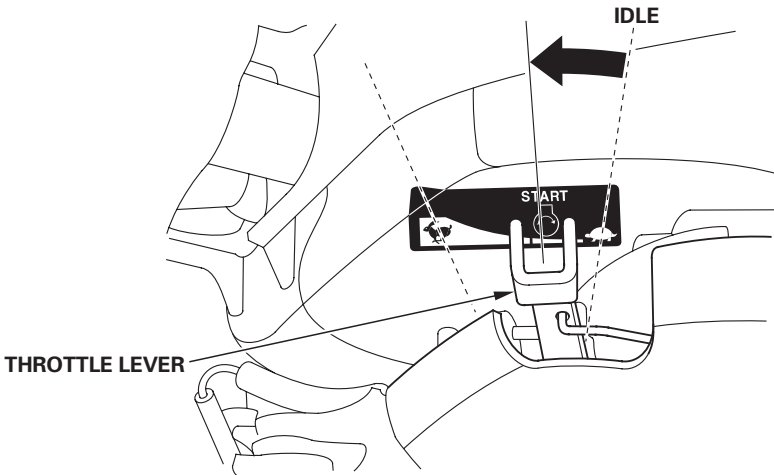
1. To start a cold engine, move the choke lever to the CLOSED position.

To restart a warm engine, leave the choke lever in the OPEN position.

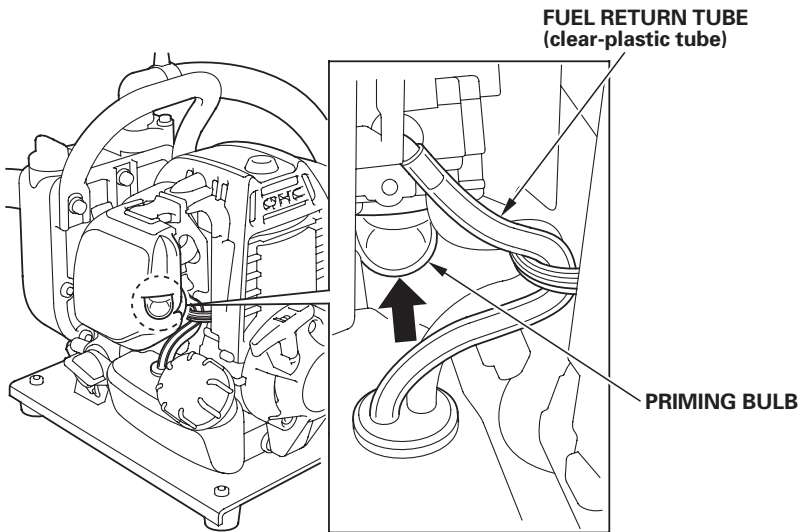


OPERATION

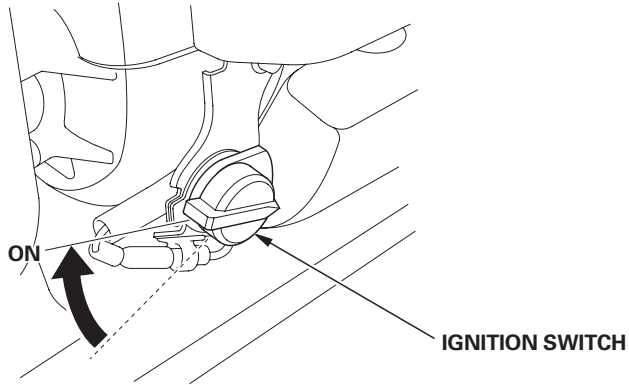
2. Move the throttle lever away from the IDLE position, but no farther than the halfway point.



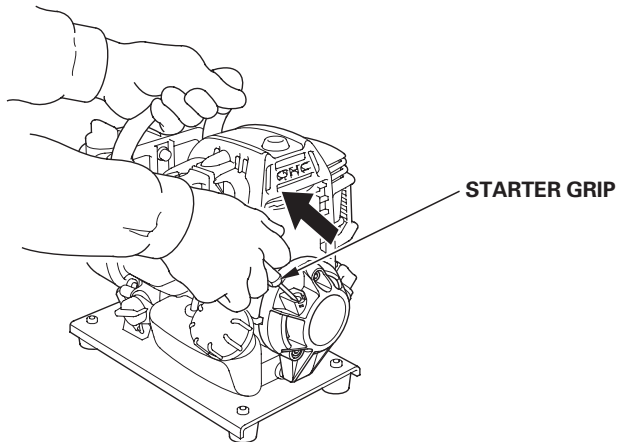
3. Press the priming bulb repeatedly until fuel can be seen in the clear-plastic fuel return tube.



4. Turn the ignition switch to the ON position.

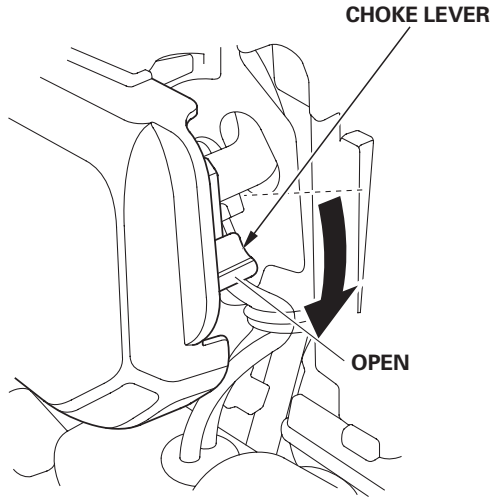


5. Hold the carrying handle securely and pull the starter grip lightly until you feel resistance, then pull briskly. Do not allow the recoil starter grip to snap back against the engine. Return it gently to prevent damage to the starter.



OPERATION

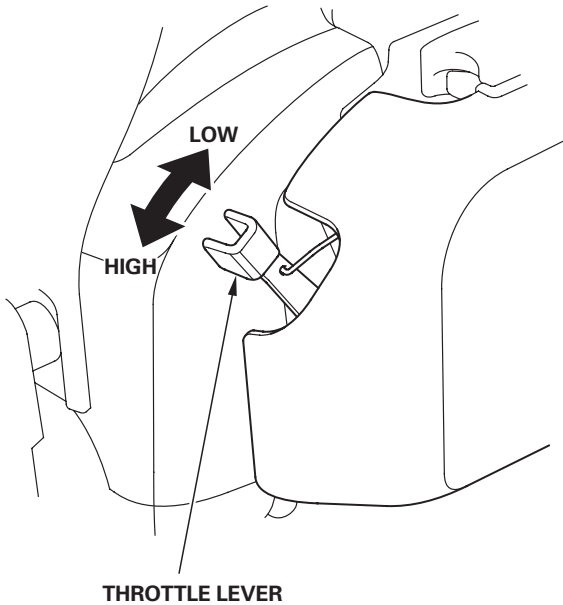
6. If the choke lever was moved to the CLOSED position to start the engine, gradually move it to the OPEN position as the engine warms up.



SETTING ENGINE SPEED

After starting the engine, move the throttle lever to the HIGH position for self-priming, and check pump output.

Pump output is controlled by adjusting engine speed. Moving the throttle lever in the HIGH direction will increase pump output, and moving the throttle lever in the LOW direction will decrease pump output.

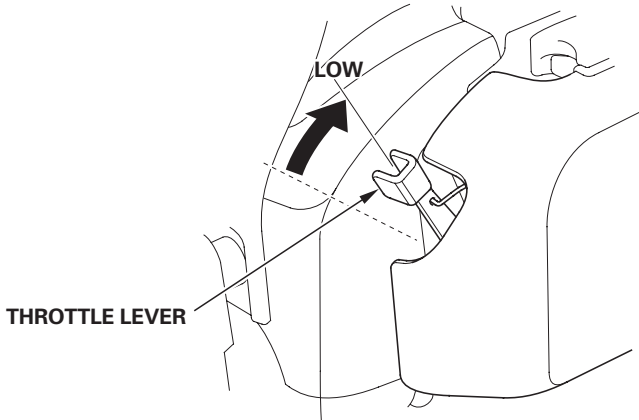


OPERATION

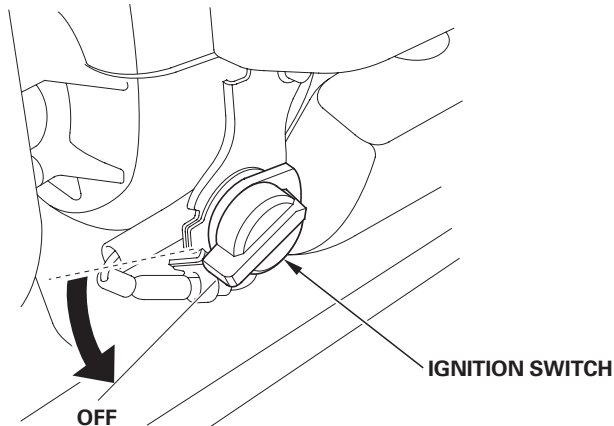
STOPPING THE ENGINE

To stop the engine in an emergency, simply turn the ignition switch to the OFF position. Under normal conditions, use the following procedure.

1. Move the throttle lever to the LOW position.



2. Turn the ignition switch to the OFF position.



After use, remove the pump drain plug (see page 46), and drain the pump chamber. Remove the filler cap, and flush the pump chamber with clean, fresh water. Allow the water to drain from the pump chamber, then reinstall the filler cap and drain plug.

SERVICING YOUR PUMP

THE IMPORTANCE OF MAINTENANCE

Good maintenance is essential for safe, economical, and trouble-free operation. It will also help reduce air pollution.

WARNING

Improperly maintaining this pump, or failure to correct a problem before operation, can cause a malfunction in which you can be seriously hurt or killed.

Always follow the inspection and maintenance recommendations and schedules in this owner's manual.

To help you properly care for your pump, the following pages include a maintenance schedule, routine inspection procedures, and simple maintenance procedures using basic hand tools. Other service tasks that are more difficult, or require special tools, are best handled by professionals and are normally performed by a Honda technician or other qualified mechanic.

The maintenance schedule applies to normal operating conditions. If you operate your pump under severe conditions, such as sustained high-load or high-temperature operation, or use in unusually wet or dusty conditions, consult your servicing dealer for recommendations applicable to your individual needs and use.

Remember that your servicing dealer knows your pump best and is fully equipped to maintain and repair it.

To ensure the best quality and reliability, use only new, genuine Honda parts or their equivalents for repair and replacement.

Maintenance, replacement, or repair of emission control devices and systems may be performed by any engine repair establishment or individual, using parts that are "certified" to EPA standards.

SERVICING YOUR PUMP

MAINTENANCE SAFETY

Some of the most important safety precautions follow. However, we cannot warn you of every conceivable hazard that can arise in performing maintenance. Only you can decide whether or not you should perform a given task.

WARNING

Failure to properly follow maintenance instructions and precautions can cause you to be seriously hurt or killed.

Always follow the procedures and precautions in the owner's manual.

Safety Precautions

- Make sure the engine is off before you begin any maintenance or repairs. This will eliminate several potential hazards:
 - **Carbon monoxide poisoning from engine exhaust.**
Be sure there is adequate ventilation whenever you operate the engine.
 - **Burns from hot parts.**
Let the engine and exhaust system cool before touching.
 - **Injury from moving parts.**
Do not run the engine unless instructed to do so.
- Read the instructions before you begin, and make sure you have the tools and skills required.
- To reduce the possibility of fire or explosion, be careful when working around gasoline. Use only a nonflammable solvent, not gasoline, to clean parts. Keep cigarettes, sparks, and flames away from all fuel-related parts.

SERVICING YOUR PUMP

MAINTENANCE SCHEDULE

REGULAR SERVICE PERIOD (3)		Each use	First month or 10 hrs.	Every 3 months or 25 hrs.	Every 6 months or 50 hrs.	Every year or 100 hrs.	Every 2 years or 300 hrs.	Refer to page
ITEM	Perform at every indicated month or operating hour interval, whichever comes first.							
Engine oil	Check level	<input type="radio"/>						30
	Change		<input type="radio"/>		<input type="radio"/>			32
Air filter	Check	<input type="radio"/>						35
	Clean			<input type="radio"/> (1)				36
Nuts, bolts, fasteners	Check (Retighten if necessary)	<input type="radio"/>						—
Spark plug	Check-adjust					<input type="radio"/>		37
	Replace						<input type="radio"/>	
Engine cooling fins	Clean				<input type="radio"/>			40
Spark arrester	Clean					<input type="radio"/>		43
Fuel tank	Clean					<input type="radio"/>		41
Fuel filter	Clean					<input type="radio"/>		41
Idle speed	Check-adjust					<input type="radio"/> (2)		—
Valve clearance	Check-adjust					<input type="radio"/> (2)		—
Combustion chamber	Clean	After every 300 hrs. (2)						—
Fuel tubes	Check	Every 2 years (Replace if necessary) (2)						—
Oil tube	Check	Every 2 years (Replace if necessary) (2)						—
Impeller	Check					<input type="radio"/> (2)		—
Impeller clearance	Check					<input type="radio"/> (2)		—
Pump inlet valve	Check					<input type="radio"/> (2)		—

- (1) Service more frequently when used in dusty areas.
- (2) These items should be serviced by your servicing dealer, unless you have the proper tools and are mechanically proficient. Refer to Honda shop manual for service procedures.
- (3) For commercial use, log hours of operation to determine proper maintenance intervals.

SERVICING YOUR PUMP

REFUELING

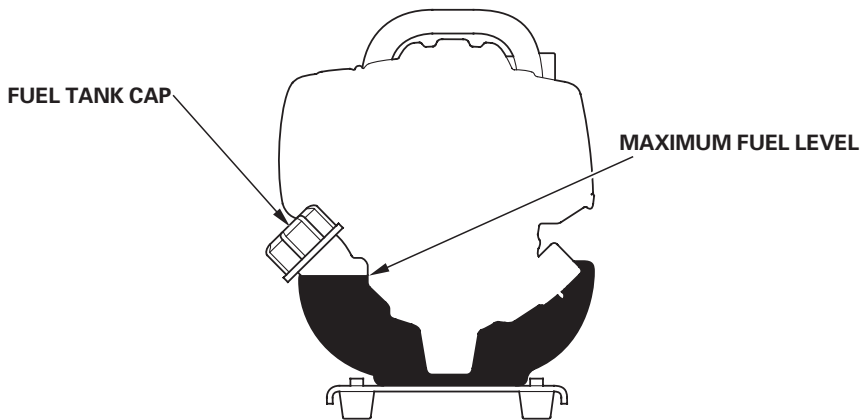
Check the fuel level by looking through the translucent fuel tank. If the fuel level is low, refuel in a well-ventilated area with the engine stopped. If the engine has been running, allow it to cool.

⚠ WARNING

Gasoline is highly flammable and explosive.

You can be burned or seriously injured when handling fuel.

- Stop the engine and keep heat, sparks, and flame away.
- Handle fuel only outdoors.
- Wipe up spills immediately.



SERVICING YOUR PUMP

To refuel, rest the engine on the ground with the fuel tank cap facing up, as shown. Remove the fuel tank cap, and fill the tank with gasoline to the bottom of the filler neck. Refuel carefully to avoid spilling fuel. Do not overfill. There should no fuel in the filler neck. After refueling, tighten the fuel tank cap securely.

Never refuel the engine inside a building where gasoline fumes may reach flames or sparks. Keep gasoline away from appliance pilot lights, barbecues, electric appliances, power tools, etc.

Spilled fuel is not only a fire hazard, it causes environmental damage. Wipe up spills immediately.

NOTICE

Fuel can damage paint and plastic. Be careful not to spill fuel when filling your fuel tank. Damage caused by spilled fuel is not covered under the Distributor's Limited Warranty.

FUEL RECOMMENDATIONS

Use unleaded gasoline with a pump octane rating of 86 or higher.

These engines are certified to operate on unleaded gasoline. Unleaded gasoline produces fewer engine and spark plug deposits and extends exhaust system life.

Never use stale or contaminated gasoline or an oil/gasoline mixture. Avoid getting dirt or water in the fuel tank.

Occasionally you may hear a light "spark knock" or "pinging" (metallic rapping noise) while operating under heavy loads. This is no cause for concern.

If spark knock or pinging occurs at a steady engine speed, under normal load, change brands of gasoline. If spark knock or pinging persists, see an authorized Honda servicing dealer.

NOTICE

Running the engine with persistent spark knock or pinging can cause engine damage.

Running the engine with persistent spark knock or pinging is considered misuse, and the *Distributor's Limited Warranty* does not cover parts damaged by misuse.

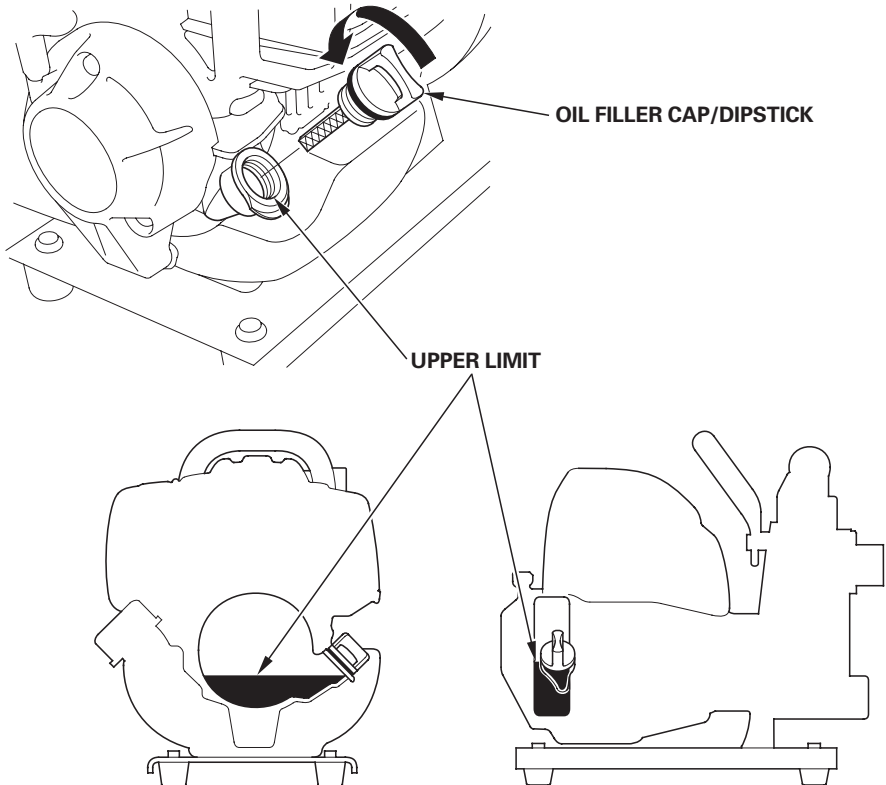
SERVICING YOUR PUMP

ENGINE OIL LEVEL CHECK

Check the engine oil level before each use, or every 10 hours if operated continuously.

Check the engine oil level with the engine stopped and in a level position.

1. Remove the oil filler cap/dipstick and wipe it clean.
2. Insert and remove the dipstick without screwing it into the filler neck. Check the oil level shown on the dipstick.
3. If the oil level is low, fill to the edge of the oil filler hole with the recommended oil (see page 34). To avoid overfilling or underfilling, be sure the engine is in a level position, as shown, while adding oil.



4. Reinstall the oil filler cap/dipstick securely.

NOTICE

Running the engine with a low or excessive oil level can cause engine damage.

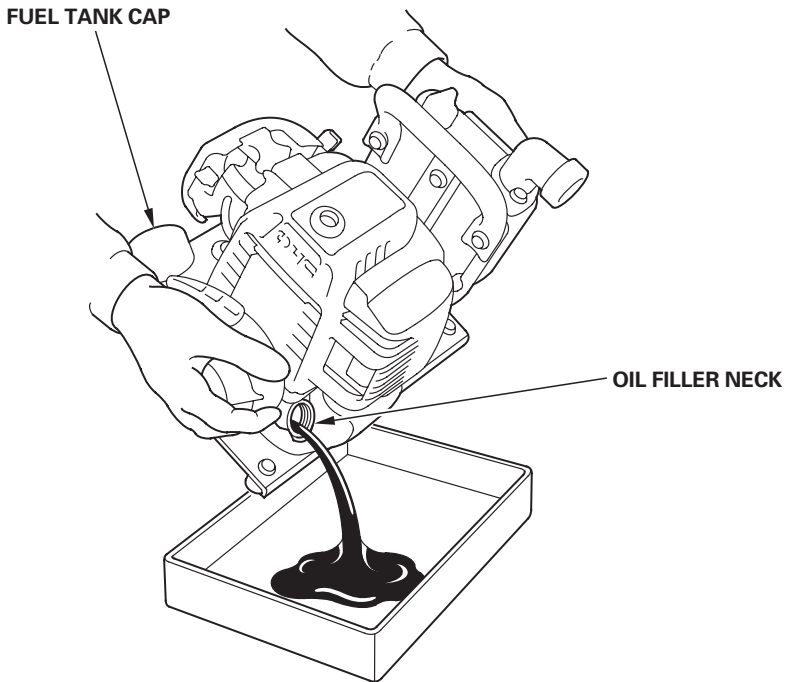
SERVICING YOUR PUMP

ENGINE OIL CHANGE

Drain the used oil while the engine is warm. Warm oil drains quickly and completely.

1. Check that the fuel tank cap is tightened securely.
2. Place a suitable container next to the engine to catch the used oil.
3. Remove the oil filler cap/dipstick and drain the oil into the container by tipping the engine toward the oil filler neck.

Please dispose of used motor oil in a manner that is compatible with the environment. We suggest you take used oil in a sealed container to your local recycling center or service station for reclamation. Do not throw it in the trash, pour it on the ground, or down a drain.



SERVICING YOUR PUMP

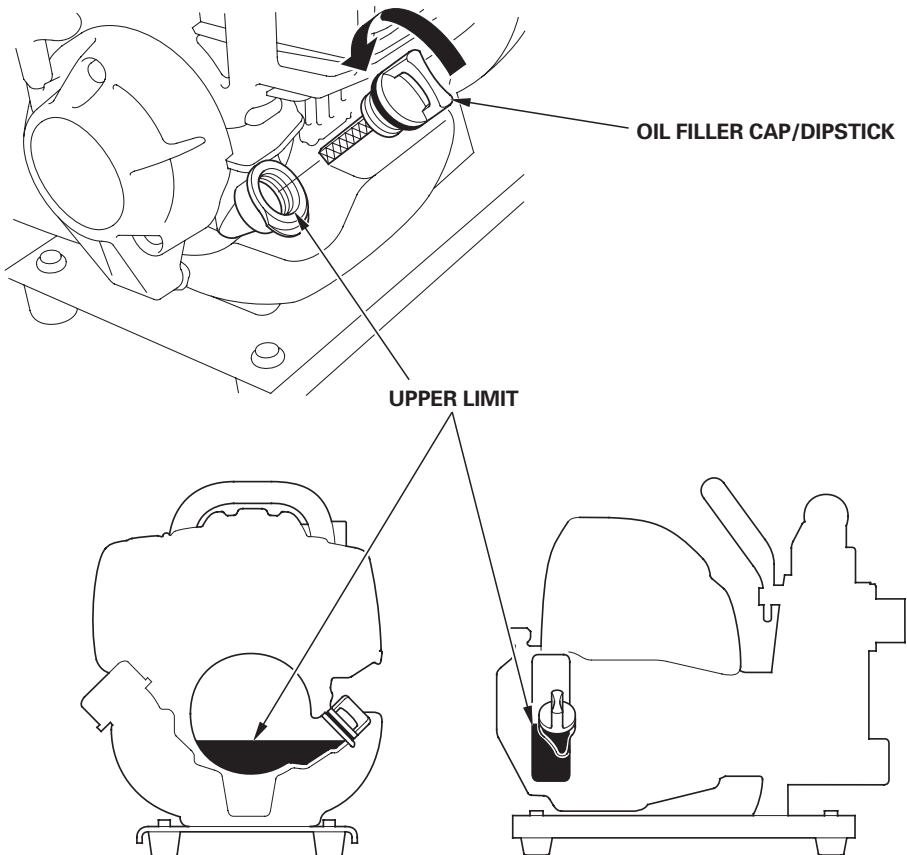
4. With the engine in a level position, fill to the edge of the oil filler hole with the recommended oil (see page 34).

Some oil will remain in the engine after draining. When refilling with fresh oil, start with less than 2.7 US oz. (80 cc). Slowly add enough oil to fill to the edge of the oil filler hole as shown below.

NOTICE

Running the engine with a low or excessive oil level can cause engine damage.

5. Reinstall the oil filler cap/dipstick securely.
If any oil is spilled, make sure to wipe it.

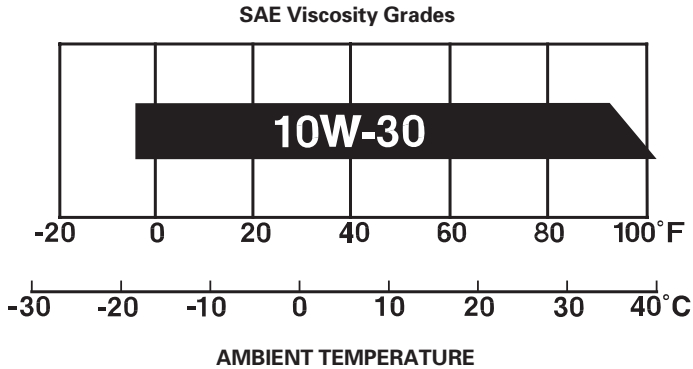


SERVICING YOUR PUMP

ENGINE OIL RECOMMENDATIONS

Oil is a major factor affecting performance and service life. Use 4-stroke automotive detergent oil.

SAE 10W-30 is recommended for general, all temperature use.



The SAE oil viscosity and service classification are in the API label on the oil container. Honda recommends that you use API SERVICE category SJ or SL oil.

The recommended operating range of this engine is 41 °F to 104 °F (5 °C to 40 °C).

SERVICING YOUR PUMP

AIR FILTER INSPECTION

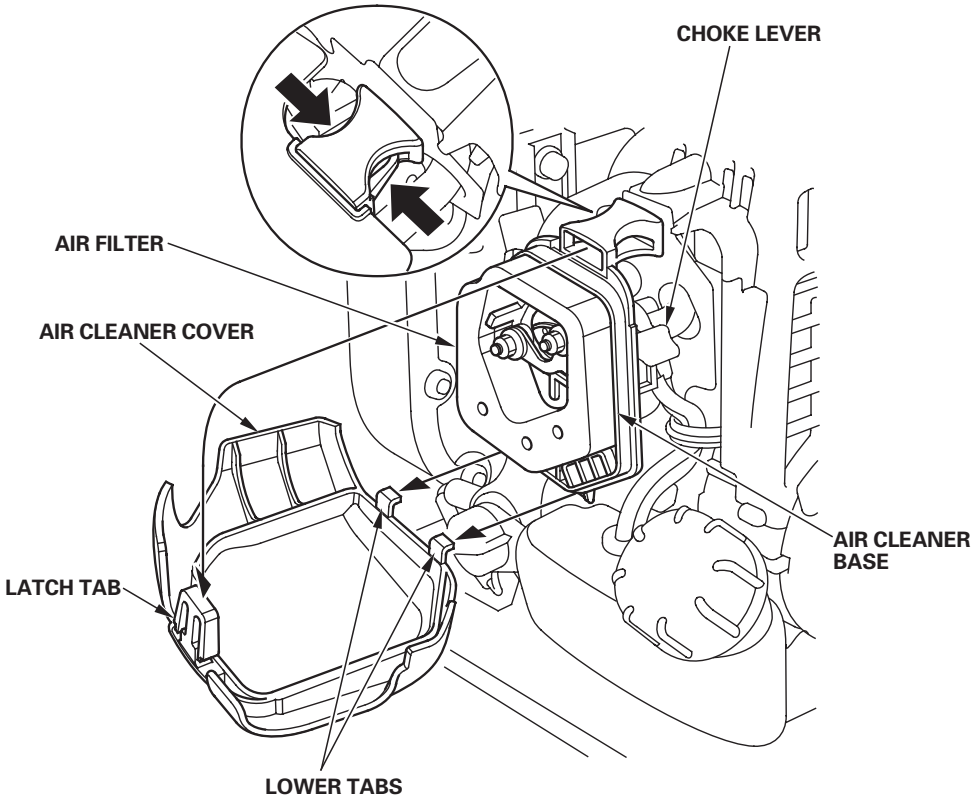
Press the latch tab on the top of the air cleaner cover, and remove the cover. Check the air filter to be sure it is clean and in good condition.

If the air filter is dirty, clean it as described on page 36 . Replace the air filter if it is damaged.

Reinstall the air filter and air cleaner cover.

NOTICE

Operating the engine without an air filter, or with a damaged air filter, will allow dirt to enter the engine, causing rapid engine wear. This type of damage is not covered by the Distributor's Limited Warranty.

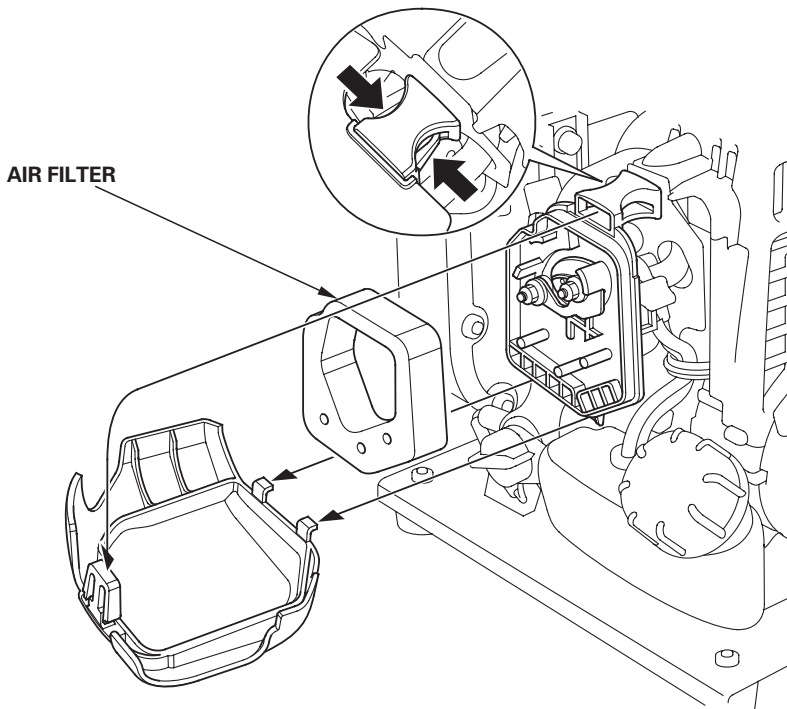


SERVICING YOUR PUMP

AIR FILTER CLEANING

A dirty air filter will restrict air flow to the carburetor, reducing engine performance. If you operate the pump in very dusty areas, clean the air filter more frequently than specified in the MAINTENANCE SCHEDULE (see page 27).

1. Clean the air filter in warm soapy water, rinse, and allow to dry thoroughly. Or clean in nonflammable solvent and allow to dry.
2. Dip the air filter in clean engine oil, then squeeze out all excess oil. The engine will smoke when started if too much oil is left in the foam.
3. Wipe dirt from the air cleaner base and cover, using a moist rag. Be careful to prevent dirt from entering the air duct that leads to the carburetor.



SPARK PLUG SERVICE

In order to service the spark plug, you will need a spark plug wrench (commercially available).

Recommended spark plug: CMR5H (NGK)

NOTICE

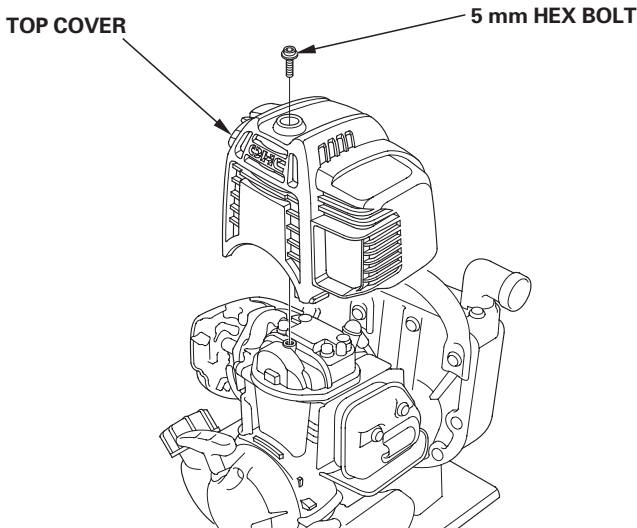
Incorrect spark plugs can cause engine damage.

1. Remove the top cover.

Loosen the 5 mm hex bolt with a hexagon wrench, then remove the top cover.

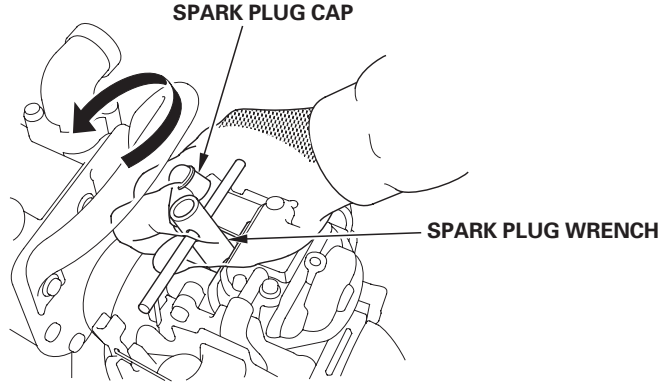
⚠ CAUTION

- You may be injured from rotating parts or burned by the muffler.
- Do not operate the engine when the top cover is removed.
- Do not pull the recoil starter handle when the top cover is removed.

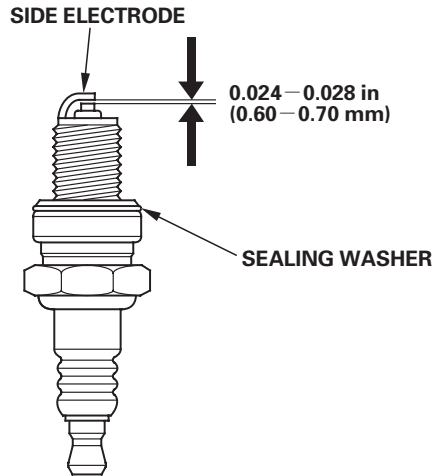


SERVICING YOUR PUMP

2. First remove any dirt from around the spark plug area, then disconnect the spark plug cap.
3. Remove the spark plug with a 5/8-inch spark plug wrench.



4. Inspect the spark plug. Replace it if the electrodes are worn, or if the insulator is cracked or chipped.
5. Measure the spark plug electrode gap with a wire-type feeler gauge. Correct the gap, if necessary, by carefully bending the side electrode.



The gap should be:
0.024 – 0.028 in (0.60 – 0.70 mm)

6. Install the spark plug carefully, by hand, to avoid cross-threading.

SERVICING YOUR PUMP

7. After the spark plug seats, tighten with a 5/8-inch spark plug wrench to compress the washer.

If reinstalling the used spark plug, tighten 1/8–1/4 turn after the spark plug seats.

If installing a new spark plug, tighten 1/2 turn after the spark plug seats.

NOTICE

*A loose spark plug can overheat and damage the engine.
Overtightening the spark plug can damage the threads in the cylinder head.*

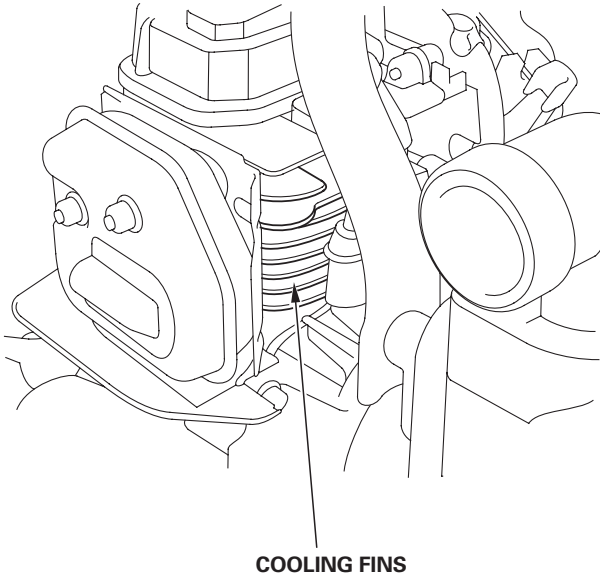
8. Attach the spark plug cap.

9. Install the top cover, and tighten the 5 mm hex bolt securely with a hexagon wrench (see page 37).

SERVICING YOUR PUMP

COOLING FIN INSPECTION

1. Loosen the 5 mm hex bolt with a hexagon wrench, then remove the top cover (see page 37).
2. Inspect the engine cooling fins, and clean out debris if they are clogged.



3. Install the top cover, and tighten the 5 mm hex bolt securely with a hexagon wrench (see page 37).

SERVICING YOUR PUMP

FUEL FILTER INSPECTION and FUEL TANK CLEANING

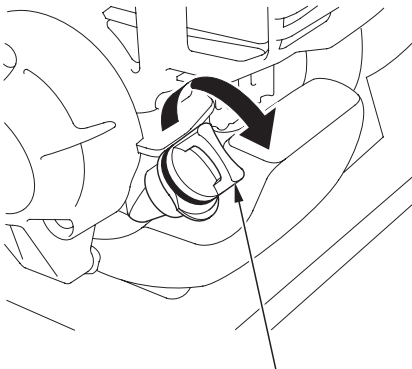
1. Check that the engine oil filler cap/dipstick is tightened securely.
2. Remove the fuel tank cap, and drain the fuel into an approved gasoline container by tipping the engine toward the fuel filler neck.

⚠ WARNING

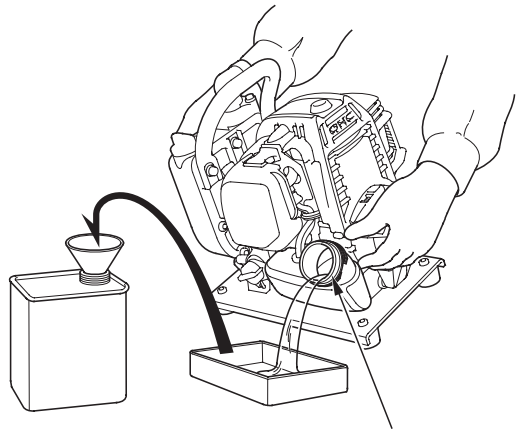
Gasoline is highly flammable and explosive.

You can be burned or seriously injured when handling fuel.

- Keep heat, sparks, and flame away.
- Handle fuel only outdoors.
- Wipe up spills immediately.



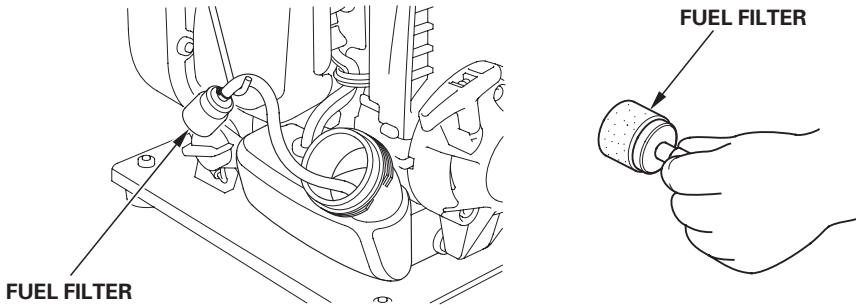
**ENGINE OIL FILLER
CAP/DIPSTICK**



FUEL FILLER NECK

SERVICING YOUR PUMP

3. Pull the fuel filter out through the fuel filler neck by hooking the black fuel tube with a piece of wire, such as a partly straightened paper clip.
4. Inspect the fuel filter. If the fuel filter is dirty, wash it gently with nonflammable or high flashpoint solvent. If the fuel filter is excessively dirty, replace it.

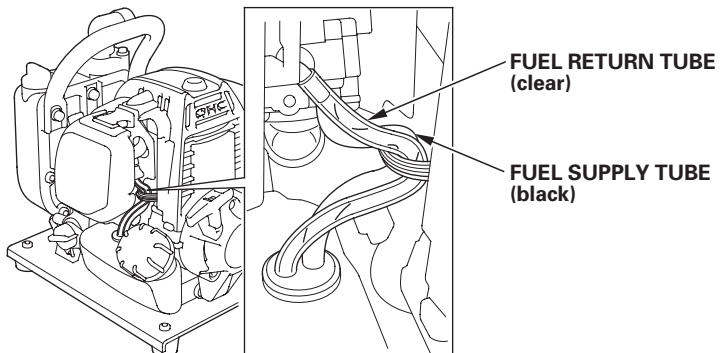


5. Rinse sediment from the fuel tank, using nonflammable or high flashpoint solvent.
6. Insert the fuel filter into the fuel tank and tighten the fuel tank cap securely.

FUEL TUBE INSPECTION

Check the fuel supply and return tubes, and replace any tube that is damaged, cracked or leaking.

Refer to the Honda shop manual for tube replacement instructions, or take the pump to a Honda pump servicing dealer.

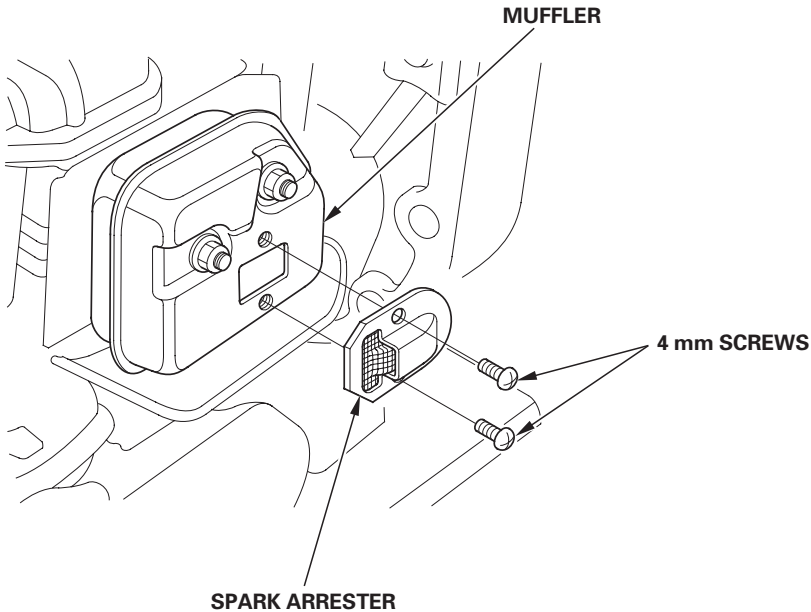


SPARK ARRESTER SERVICE

The spark arrester must be serviced every 100 hours to keep it functioning as designed.

If the engine has been running, the muffler will be very hot. Allow the muffler to cool before servicing the spark arrester.

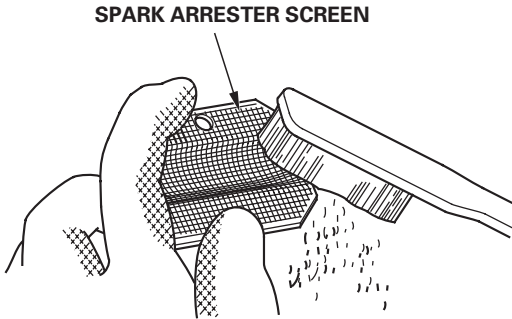
1. Loosen the 5 mm hex bolt with a hexagon wrench, then remove the top cover (see page 37).
2. Remove the 4 mm screws from the spark arrester, and remove the spark arrester from the muffler.



SERVICING YOUR PUMP

3. Use a brush to remove carbon deposits from the spark arrester screen. Be careful to avoid damaging the screen.

The spark arrester must be free of breaks and holes. Replace the spark arrester if it is damaged.



4. Install the spark arrester in the reverse order of disassembly.

When you attach the spark arrester, spark arrester's outlet must be pointed toward the side opposite the spark plug.

5. Install the top cover, and tighten the 5 mm hex bolt securely with a hexagon wrench (see page 37).

STORAGE

STORAGE PREPARATION

Proper storage preparation is essential for keeping your pump troublefree and looking good. The following steps will help to keep rust and corrosion from impairing your pump's function and appearance, and will make the engine easier to start when you use the pump again.

Cleaning

1. Wash the engine and pump.

Wash the engine by hand, and be careful to prevent water from entering the air cleaner or muffler opening. Keep water away from controls and all other places that are difficult to dry, as water promotes rust.

NOTICE

- *Using a garden hose or pressure washing equipment can force water into the air cleaner or muffler opening. Water in the air cleaner will soak the air filter, and water that passes through the air filter or muffler can enter the cylinder, causing damage.*
- *Water contacting a hot engine can cause damage. If the engine has been running, allow it to cool for at least half an hour before washing.*

2. Wipe dry all accessible surfaces.

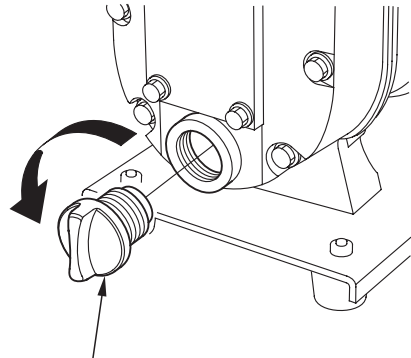
3. Fill the pump chamber with clean, fresh water, start the engine outdoors, and let it run until it reaches normal operating temperature to evaporate any external water.

NOTICE

Dry operation will damage the pump seal. Be sure the pump chamber is filled with water before starting the engine.

STORAGE

4. Stop the engine, and allow it to cool.
5. Remove the pump drain plug, and flush the pump with clean, fresh water. Allow the water to drain from the pump chamber, then reinstall the drain plug.
6. After the pump is clean and dry, touch up any damaged paint, and coat areas that may rust with a light film of oil. Lubricate controls with a silicone spray lubricant.



PUMP DRAIN PLUG

Fuel

Gasoline will oxidize and deteriorate in storage. Old gasoline will cause hard starting, and it leaves gum deposits that clog the fuel system. If the gasoline in your engine deteriorates during storage, you may need to have the carburetor and other fuel system components serviced or replaced.

The length of time that gasoline can be left in your fuel tank and carburetor without causing functional problems will vary with such factors as gasoline blend, your storage temperatures, and whether the fuel tank is partially or completely filled. The air in a partially filled fuel tank promotes fuel deterioration. Very warm storage/temperatures accelerate fuel deterioration. Fuel deterioration problems may occur within a few months, or even less if the gasoline was not fresh when you filled the fuel tank.

The *Distributor's Limited Warranty* does not cover fuel system damage or engine performance problems resulting from neglected storage preparation.

You can extend fuel storage life by adding a fuel stabilizer that is formulated for that purpose, or you can avoid fuel deterioration problems by draining the fuel tank and carburetor.

Adding a Fuel Stabilizer to Extend Fuel Storage Life

When adding a fuel stabilizer, fill the fuel tank with fresh gasoline. If only partially filled, air in the tank will promote fuel deterioration during storage. If you keep a container of gasoline for refueling, be sure that it contains only fresh gasoline.

1. Add fuel stabilizer following the manufacturer's instructions.
2. After adding a fuel stabilizer, run the engine outdoors for 10 minutes to be sure that treated gasoline has replaced the untreated gasoline in the carburetor.

NOTICE

Dry operation will damage the pump seal. Be sure the pump chamber is filled with water before starting the engine.

3. Stop the engine.

STORAGE

Draining the Fuel Tank and Carburetor

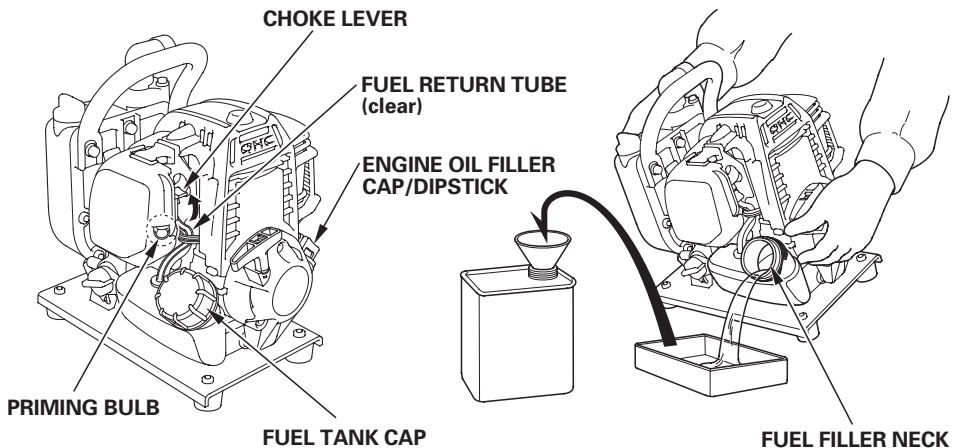
1. Check that the engine oil filler cap/dipstick is tightened securely.
2. Remove the fuel tank cap and drain the fuel into an approved gasoline container by tipping the engine toward the fuel filler neck.
3. Press the priming bulb several times until there is no more fuel in the fuel return tube.
4. Tip the engine toward the fuel filler neck again to drain the fuel.

⚠ WARNING

Gasoline is highly flammable and explosive.

You can be burned or seriously injured when handling fuel.

- Keep heat, sparks, and flame away.
- Handle fuel only outdoors.
- Wipe up spills immediately.



5. After all fuel has drained, reinstall the fuel tank cap securely.

Engine Oil

1. Change the engine oil (see page 32).
2. Loosen the 5 mm hex bolt with a hexagon wrench, then remove the top cover (see page 37).
3. Remove the spark plug (see page 38).
4. Apply a couple of drops of clean engine oil into the cylinder.
5. Install the top cover temporarily.
6. Pull the starter grip several times to distribute the oil in the cylinder.
7. Remove the top cover, then reinstall the spark plug.
8. Install the top cover, and tighten the 5 mm hex bolt securely with a hexagon wrench (see page 37).
9. Move the choke lever to the CLOSED (upwards) position.
10. Pull the starter rope slowly until resistance is felt. This will close the valves, so moisture cannot enter the engine cylinder. Return the starter rope gently.

STORAGE PRECAUTIONS

If your pump will be stored with gasoline in the fuel tank and carburetor, it is important to reduce the hazard of gasoline vapor ignition. Select a well-ventilated storage area away from any appliance that operates with a flame, such as a furnace, water heater, or clothes dryer. Also avoid any area with a spark-producing electric motor, or where power tools are operated.

If possible, avoid storage areas with high humidity, because that promotes rust and corrosion.

Place the pump on a level surface.

With the engine and exhaust system cool, cover the pump to keep out dust. A hot engine and exhaust system can ignite or melt some materials. Do not use sheet plastic as a dust cover. A nonporous cover will trap moisture around the pump, promoting rust and corrosion.

STORAGE

REMOVAL FROM STORAGE

Check your pump as described in the *BEFORE OPERATION* chapter of this manual.

If the fuel was drained during storage preparation, fill the tank with fresh gasoline. If you keep a container of gasoline for refueling, be sure that it contains only fresh gasoline. Gasoline oxidizes and deteriorates over time, causing hard starting.

If the cylinder was coated with oil during storage preparation, the engine may smoke briefly at startup. This is normal.

TRANSPORTING

If the pump has been running, allow the engine to cool for at least 15 minutes before loading the pump on the transport vehicle. A hot engine and exhaust system can burn you and can ignite some materials.

Keep the pump level when transporting to reduce the possibility of fuel leakage.

TAKING CARE OF UNEXPECTED PROBLEMS

ENGINE

Engine Will Not Start	Possible Cause	Correction
1. Check control positions.	Choke open.	Move choke lever to CLOSED position unless engine is warm.
	Improper throttle position.	Move throttle lever to start position on a warm.
	Ignition switch OFF.	Turn ignition switch to ON.
2. Check fuel.	Out of fuel.	Refuel (p. 28)
	Bad fuel; pump stored without treating or draining gasoline, or refueled with bad gasoline.	Drain fuel tank and carburetor (p. 48). Refuel with fresh gasoline (p. 28).
3. Remove and inspect spark plug.	Spark plug faulty, fouled, or improperly gapped.	Gap or replace spark plug (p. 38).
	Spark plug wet with fuel (flooded engine).	Dry and reinstall spark plug. Start engine with throttle lever in FAST position, with choke lever in OPEN position.
4. Take engine to an authorized Honda servicing dealer, or refer to shop manual.	Fuel filter clogged, carburetor malfunction, ignition malfunction, valves stuck, etc.	Replace or repair faulty components as necessary.

Engine Lacks Power	Possible Cause	Correction
1. Check air filter.	Air filter element clogged.	Clean or replace filter element (p. 36).
2. Check fuel.	Bad fuel; pump stored without treating or draining gasoline, or refueled with bad gasoline.	Drain fuel tank and carburetor (p. 48). Refuel with fresh gasoline (p. 28).
3. Take engine to an authorized Honda servicing dealer, or refer to shop manual.	Fuel filter clogged, carburetor malfunction, ignition malfunction, valves stuck, etc.	Replace or repair faulty components as necessary.

TAKING CARE OF UNEXPECTED PROBLEMS

PUMP

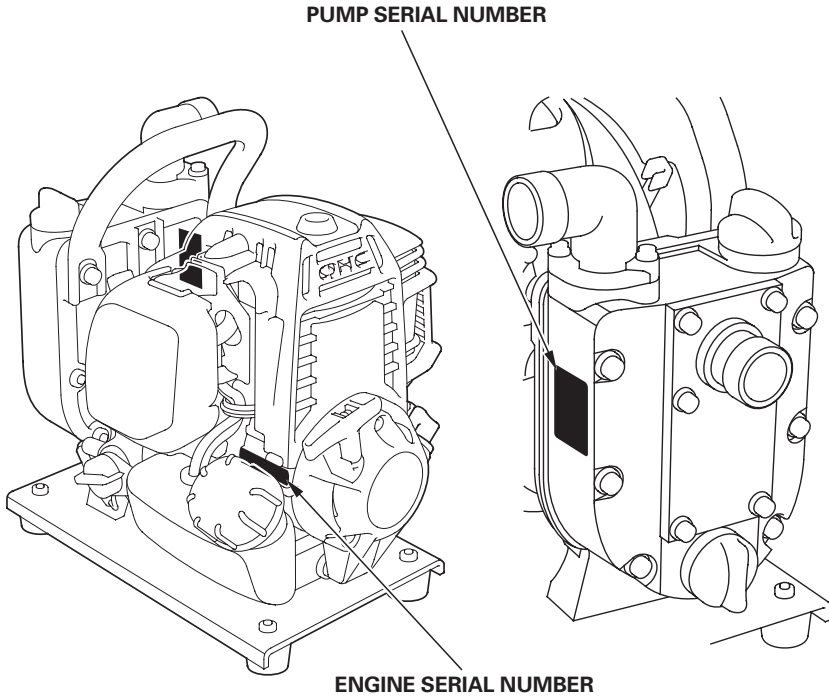
No Pump Output	Possible Cause	Correction
1. Check pump chamber.	Pump not primed.	Prime pump (p. 19)
2. Check suction hose.	Hose collapsed, cut or punctured.	Replace suction hose (p. 16).
	Strainer not completely underwater.	Sink the strainer and the end of a suction hose completely underwater.
	Air leak at connector.	Replace sealing washer if missing or damaged. Tighten hose connector and clamp (p. 16).
	Strainer clogged.	Clean debris from strainer.
3. Measure suction and discharge head.	Excessive head.	Relocate pump and/or hoses to reduce head (p. 15, 60).
4. Check engine.	Engine lacks power.	See page 52 .

Low Pump Output	Possible Cause	Correction
1. Check throttle lever.	Lever not in "HIGH" position.	Move lever to "HIGH" position (p.23).
2. Check suction hose.	Hose collapsed, damaged, too long, or diameter too small.	Replace suction hose (p. 16).
	Air leak at connector.	Replace sealing washer if missing or damaged. Tighten hose connector and clamp (p. 16).
	Strainer clogged.	Clean debris from strainer.
3. Check discharge hose.	Hose damaged, too long, or diameter too small.	Replace discharge hose (p. 17).
4. Measure suction and discharge head.	Marginal head.	Relocate pump and/or hoses to reduce head (p. 15, 60).
5. Check engine.	Engine lacks power.	See page 52 .

TECHNICAL & CONSUMER INFORMATION

TECHNICAL INFORMATION

Serial Number Locations



Record the pump serial number and the engine serial number in the space below. You will need these serial numbers when ordering parts, and when making technical or warranty inquiries (see page 62).

Engine serial number: _____

Pump serial number: _____

Date of purchased: _____

Carburetor Modification for High Altitude Operation

At high altitude, the standard carburetor air-fuel mixture will be too rich. Performance will decrease, and fuel consumption will increase. A very rich mixture will also foul the spark plug and cause hard starting. Operation at an altitude that differs from that at which this engine was certified, for extended periods of time, may increase emissions.

High altitude performance can be improved by specific modifications to the carburetor. If you always operate your pump at altitudes above 5,000 feet (1,500 meters), have your servicing dealer perform this carburetor modification. This engine, when operated at high altitude with the carburetor modifications for high altitude use, will meet each emission standard throughout its useful life.

Even with carburetor modification, engine horsepower will decrease about 3.5% for each 1,000-foot (300-meter) increase in altitude. The effect of altitude on horsepower will be greater than this if no carburetor modification is made.

NOTICE

When the carburetor has been modified for high altitude operation, the air-fuel mixture will be too lean for low altitude use. Operation at altitudes below 5,000 feet (1,500 meters) with a modified carburetor may cause the engine to overheat and result in serious engine damage. For use at low altitudes, have your servicing dealer return the carburetor to original factory specifications.

TECHNICAL & CONSUMER INFORMATION

Oxygenated Fuels

Some conventional gasolines are being blended with alcohol or an ether compound. These gasolines are collectively referred to as oxygenated fuels. To meet clean air standards, some areas of the United States and Canada use oxygenated fuels to help reduce emissions.

If you use an oxygenated fuel, be sure it is unleaded and meets the minimum octane rating requirement.

Before using an oxygenated fuel, try to confirm the fuel's contents. Some states/provinces require this information to be posted on the pump.

The following are the EPA approved percentages of oxygenates:

ETHANOL ———(ethyl or grain alcohol) 10% by volume
You may use gasoline containing up to 10% ethanol by volume. Gasoline containing ethanol may be marketed under the name Gasohol.

MTBE —————(methyl tertiary butyl ether) 15% by volume
You may use gasoline containing up to 15% MTBE by volume.

METHANOL ———(methyl or wood alcohol) 5% by volume
You may use gasoline containing up to 5% methanol by volume, as long as it also contains cosolvents and corrosion inhibitors to protect the fuel system. Gasoline containing more than 5% methanol by volume may cause starting and/or performance problems. It may also damage metal, rubber, and plastic parts of your fuel system.

If you notice any undesirable operating symptoms, try another service station, or switch to another brand of gasoline.

Fuel system damage or performance problems resulting from the use of an oxygenated fuel containing more than the percentages of oxygenates mentioned above are not covered under warranty.

Emission Control System Information

Source of Emissions

The combustion process produces carbon monoxide, oxides of nitrogen, and hydrocarbons. Control of hydrocarbons and oxides of nitrogen is very important because, under certain conditions, they react to form photochemical smog when subjected to sunlight. Carbon monoxide does not react in the same way, but it is toxic.

Honda utilizes lean carburetor settings and other systems to reduce the emissions of carbon monoxide, oxides of nitrogen and hydrocarbons.

The U.S. and California Clean Air Acts

EPA and California regulations require all manufacturers to furnish written instructions describing the operation and maintenance of emission control systems.

The following instructions and procedures must be followed in order to keep the emissions from your Honda engine within the emission standards.

Tampering and Altering

Tampering with or altering the emission control system may increase emissions beyond the legal limit. Among those acts that constitute tampering are:

- Removal or alteration of any part of the intake, fuel or exhaust systems.
- Altering or defeating the governor linkage or speed-adjusting mechanism to cause the engine to operate outside its design parameters.

TECHNICAL & CONSUMER INFORMATION

Problems That May Affect Emissions

If you are aware of any of the following symptoms, have your engine inspected and repaired by your servicing dealer.

- Hard starting or stalling after starting.
- Rough idle.
- Misfiring or backfiring under load.
- Afterburning (backfiring).
- Black exhaust smoke or high fuel consumption.

Replacement Parts

The emission control systems on your Honda engine were designed, built, and certified to conform with EPA and California emission regulations. We recommend the use of genuine Honda parts whenever you have maintenance done. These original-design replacement parts are manufactured to the same standards as the original parts, so you can be confident of their performance. The use of replacement parts that are not of the original design and quality may impair the effectiveness of your emission control system.

A manufacturer of an aftermarket part assumes the responsibility that the part will not adversely affect emission performance. The manufacturer or rebuilder of the part must certify that use of the part will not result in a failure of the engine to comply with emission regulations.

Maintenance

Follow the maintenance schedule (see page 27). Remember that this schedule is based on the assumption that your machine will be used for its designed purpose. Sustained high-load or high-temperature operation, or use in unusually wet or dusty conditions, will require more frequent service.

TECHNICAL & CONSUMER INFORMATION

Air Index

An Air Index Information hang tag/label is applied to engines certified to an emission durability time period in accordance with the requirements of the California Air Resources Board.

The bar graph is intended to provide you, our customer, the ability to compare the emissions performance of available engines. The lower the Air Index, the less pollution.

The durability description is intended to provide you with information relating the engine's emission durability period. The descriptive term indicates the useful life period for the engine's emission control system. See your *Emission Control System Warranty* for additional information.

Descriptive Term	Applicable to Emissions Durability Period
Moderate	50 hours (0-65 cc) 125 hours (greater than 65 cc)
Intermediate	125 hours (0-65 cc) 250 hours (greater than 65 cc)
Extended	300 hours (0-65 cc) 500 hours (greater than 65 cc)

The Air Index Information hang tag must remain on the pump until it is sold. Remove the hang tag before operating the pump.

TECHNICAL & CONSUMER INFORMATION

Specifications

Dimensions and weight

Length	12.8 in (325 mm)
Width	8.7 in (220 mm)
Height	With rubber feet: 11.8 in (300 mm)
Dry weight	13.4 lbs (6.1 kg)

Engine design and performance

Model	GX25T
Engine type	4-stroke, overhead camshaft, single cylinder
Displacement [bore × stroke]	1.5 cu-in (25 cc) [1.4 × 1.0 in (35 × 26 mm)]
Maximum output	1.1 bhp (0.81 kW, 1.1 PS) at 7,000 rpm
Maximum torque	0.92 ft-lb (1.25 N·m, 0.13 kg·m) at 4,500 rpm
Cooling system	Forced air
Ignition system	Transistorized magneto
PTO shaft rotation	Counterclockwise
Engine oil capacity	2.7 oz. (80 cc)
Fuel tank capacity	0.145 US gal (0.55 ℓ)

Tune up

Spark plug gap	0.024 – 0.028 in (0.60 – 0.70 mm)	Refer to page 38.
Idle speed	3,100 ± 200 rpm	
Valve clearance (cold)	Intake: 0.08 ± 0.02 mm Exhaust: 0.11 ± 0.02 mm	See your authorized Honda dealer.
Other specifications	No other adjustments needed.	

Pump

Suction port diameter	1.0 in (25 mm)
Discharge port diameter	1.0 in (25 mm)
Total head (maximum)	118 ft (36 m)
Suction head (maximum)	23 ft (8 m)
Discharge capacity (maximum)	37.0 US gal (140 ℓ) per minute
Self-priming time	80 seconds at 16.4 ft (5 m)
Pressure (maximum)	43 psi (299 kPa, 3.05 kgf/cm ²)
Continuous running time	Approximately 65 min (actual time varies with pump load)

TECHNICAL & CONSUMER INFORMATION

CONSUMER INFORMATION

Honda Publications

These publications will give you additional information for maintaining and repairing your pump. You may order them from your Honda pump dealer.

Shop Manual

This manual covers complete maintenance and overhaul procedures. It is intended to be used by a skilled technician.

Parts Catalog

This manual provides complete, illustrated parts lists.

TECHNICAL & CONSUMER INFORMATION

Customer Service Information

Servicing dealership personnel are trained professionals. They should be able to answer any question you may have. If you encounter a problem that your dealer does not solve to your satisfaction, please discuss it with the dealership's management. The Service Manager or General Manager can help. Almost all problems are solved in this way.

If you are dissatisfied with the decision made by the dealership's management, contact the Honda Power Equipment Customer Relations Office. You can write to:

American Honda Motor Co., Inc.
Power Equipment Division
Customer Relations Office
4900 Marconi Drive
Alpharetta, Georgia 30005-8847

Or telephone: (770)497-6400

When you write or call, please give us this information:

- Model and serial number (see page 54)
- Name of the dealer who sold the pump to you
- Name and address of the dealer who services your pump
- Date of purchase
- Your name, address and telephone number
- A detailed description of the problem

MEMO

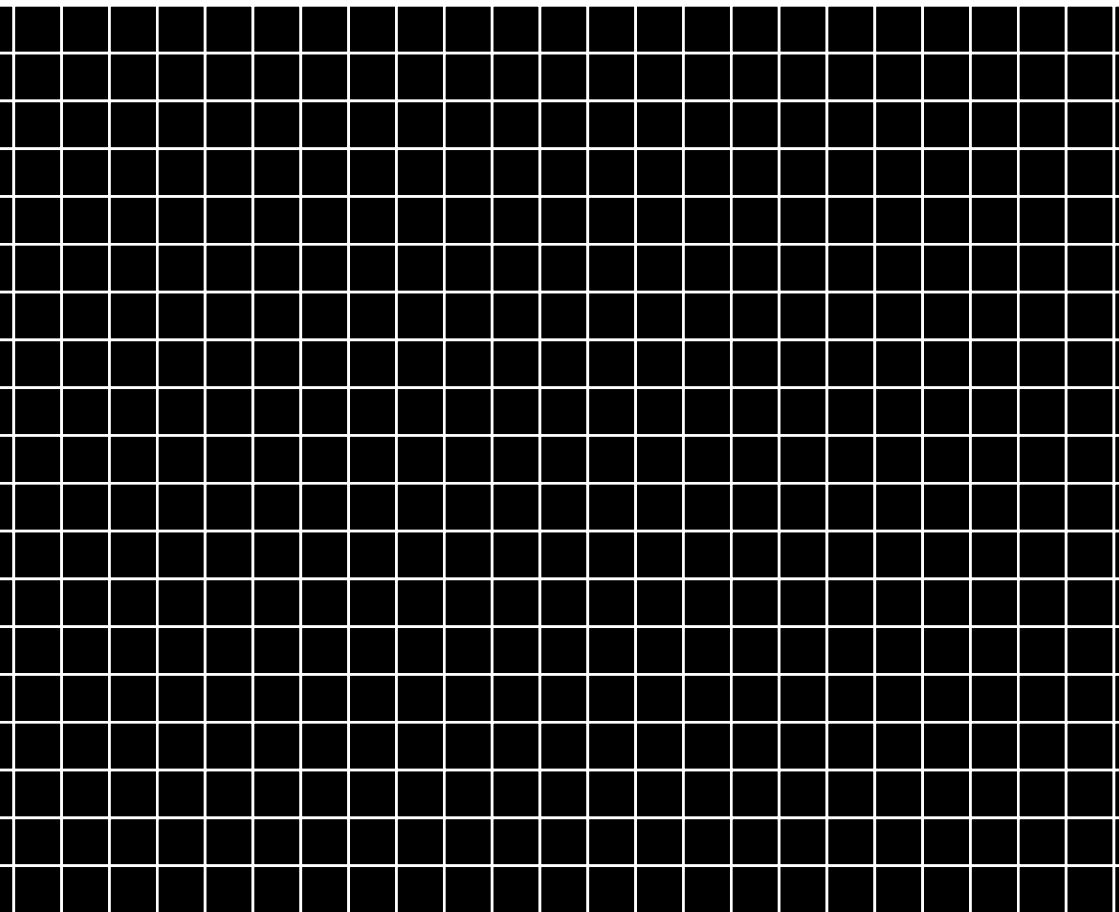
MEMO

QUICK REFERENCE INFORMATION

Fuel	Type	Unleaded gasoline with a pump octane rating of 86 or higher (page 28)
Engine Oil	Type	SAE 10W-30, API SJ or SL, for general use (page 34)
Spark Plug	Type	NGK: CMR5H
	Gap	0.024 – 0.028 in (0.60 – 0.70 mm) (page 38)
Carburetor	Idle speed	3,100 ± 200 rpm
Maintenance	Before each use	Check engine oil level. Check air filter. Check all bolts and nuts.
	First 10 hours	Change engine oil.
	Subsequent	Refer to the maintenance schedule on page 27 .

HONDA

The Power of Dreams



31YE9607
00X31-YE9-6070

EM3 (AH) (英) (Y) (HC) 2000.2005.12
(Hi) Printed in Japan